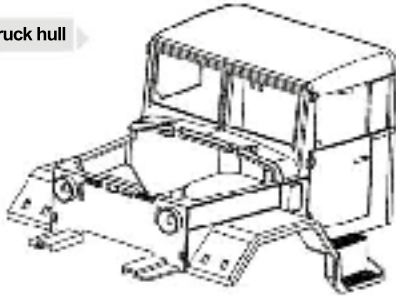
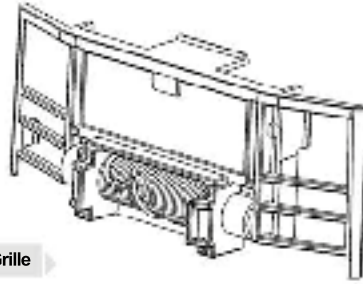


Upper Part

Truck hull



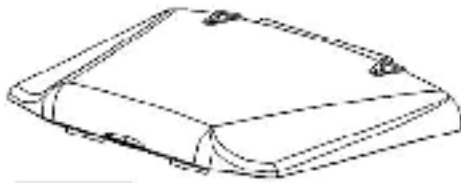
Grille



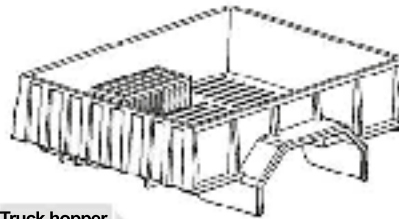
Steering wheel



Engine Hood



Truck hopper

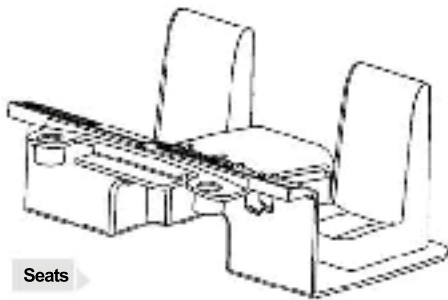


Driving Mirror X2



Mirror Base X4

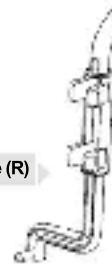
Seats



Exhaust Pipe (L)



Exhaust Pipe (R)

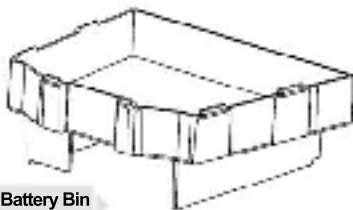


Fog Lamp X2



Bottom Part

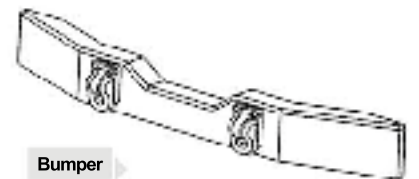
Battery Bin



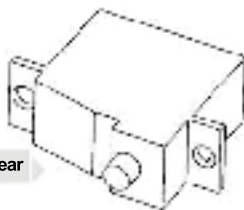
Track frame



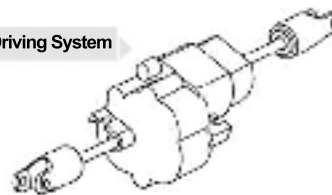
Bumper



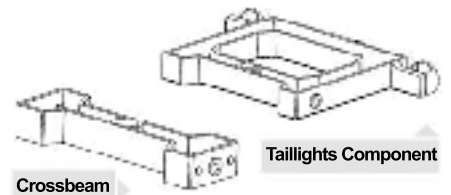
Steering Gear



Driving System

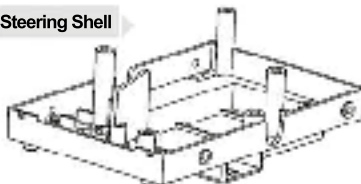


Crossbeam

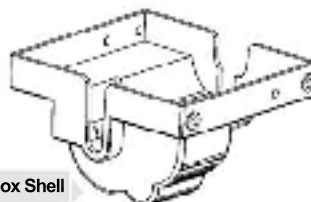


Taillights Component

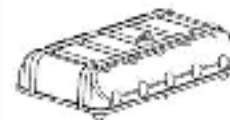
Steering Shell



Gearbox Shell



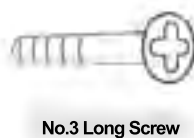
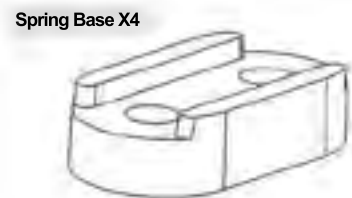
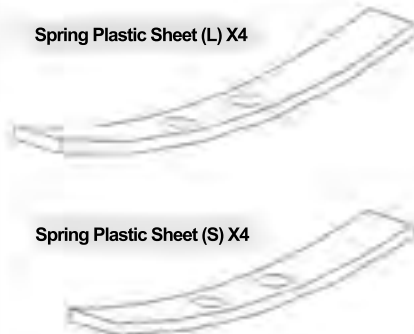
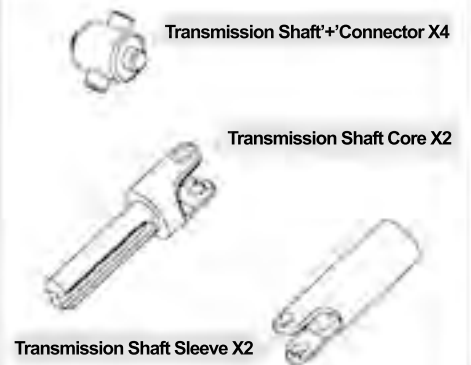
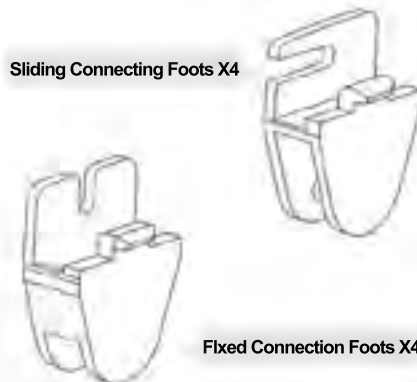
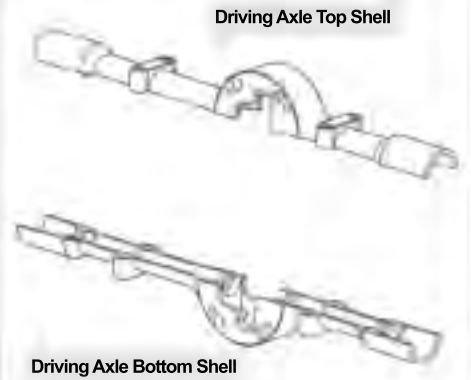
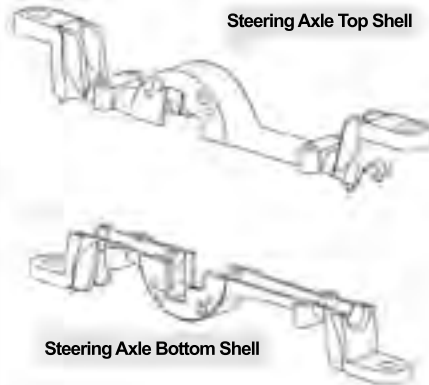
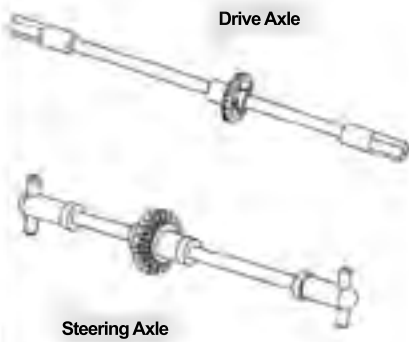
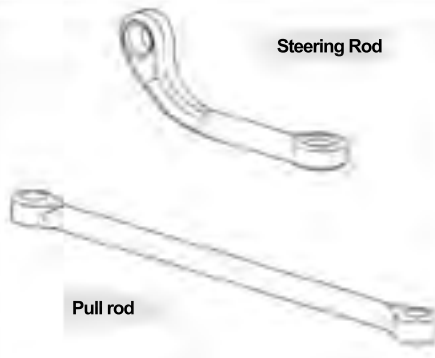
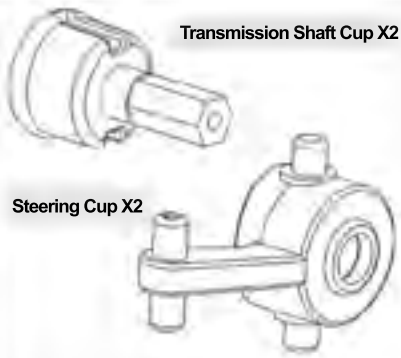
Tank top X2



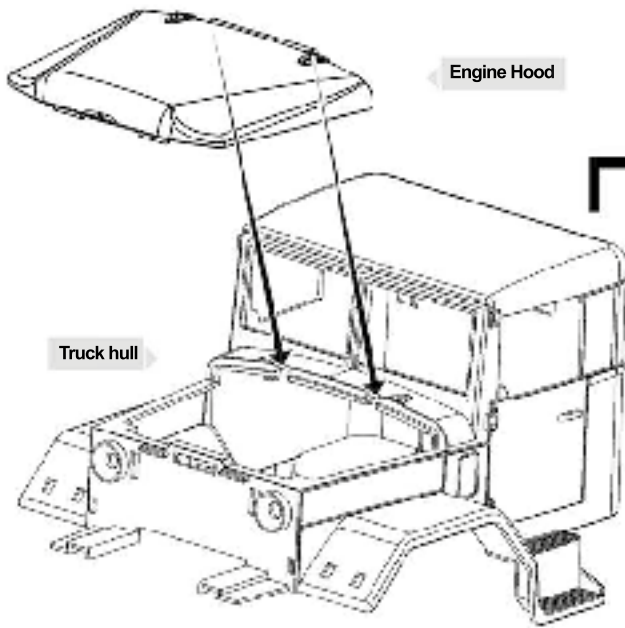
Tank Bottom X2



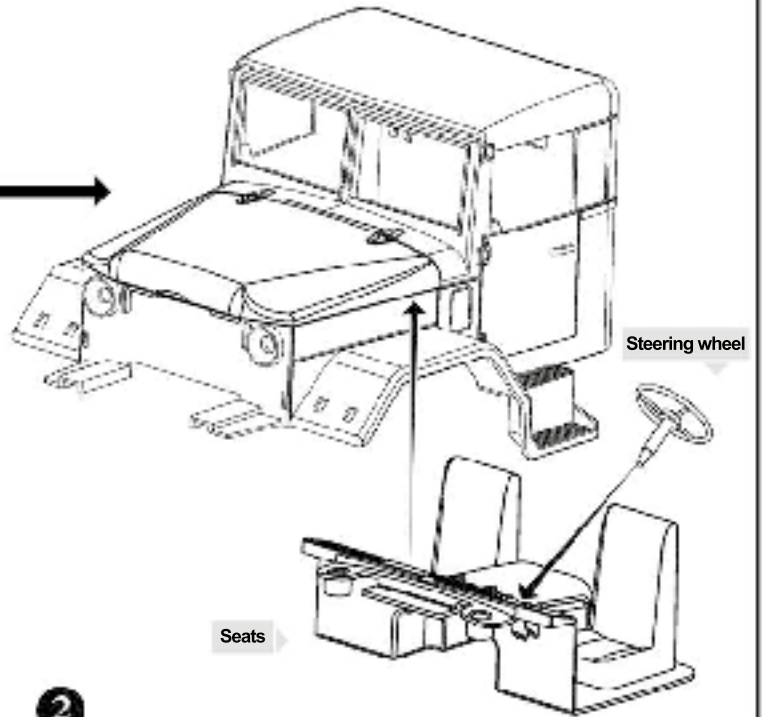
Transmission System Parts



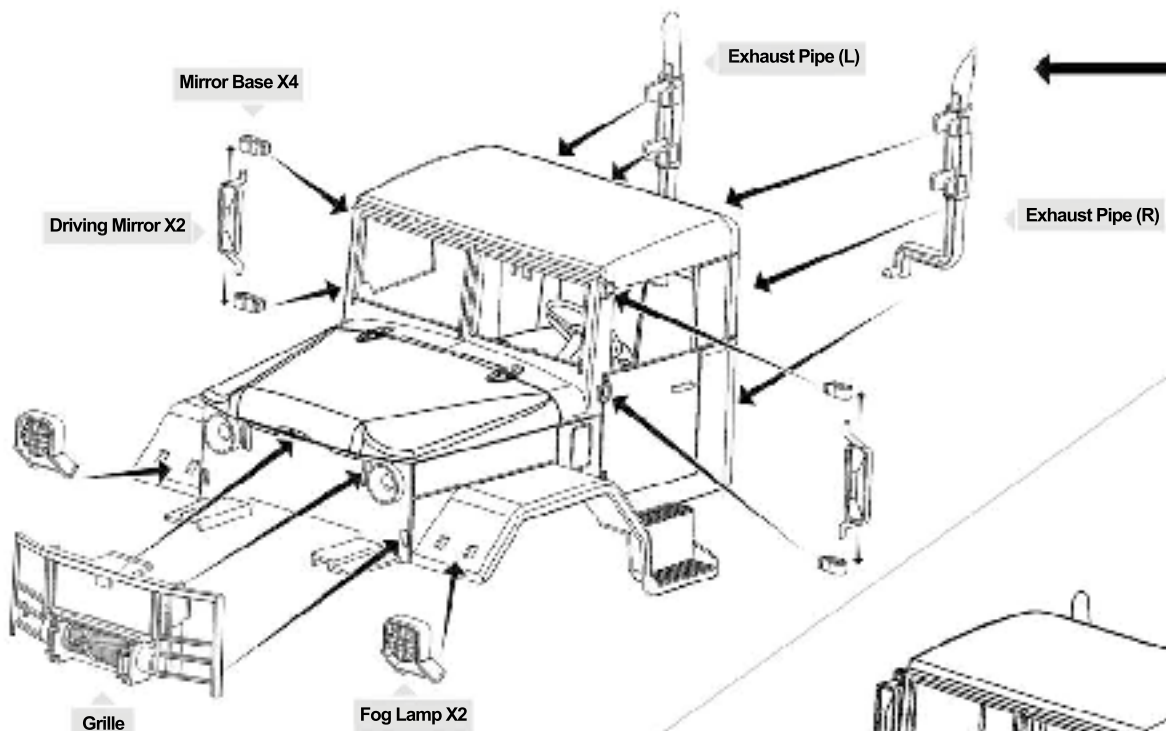
- INSTALLATION METHOD OF TRUCK HULL -



1

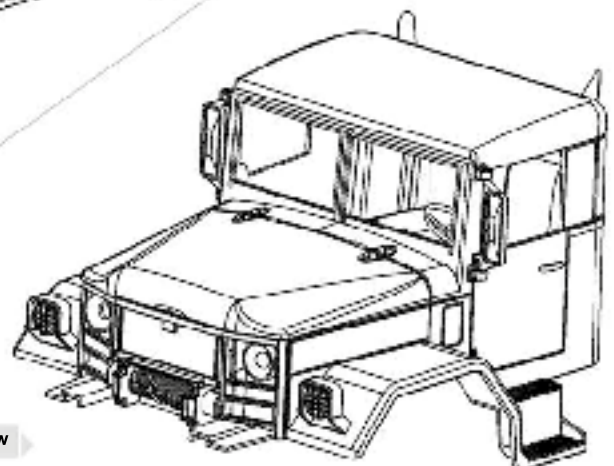


2



3

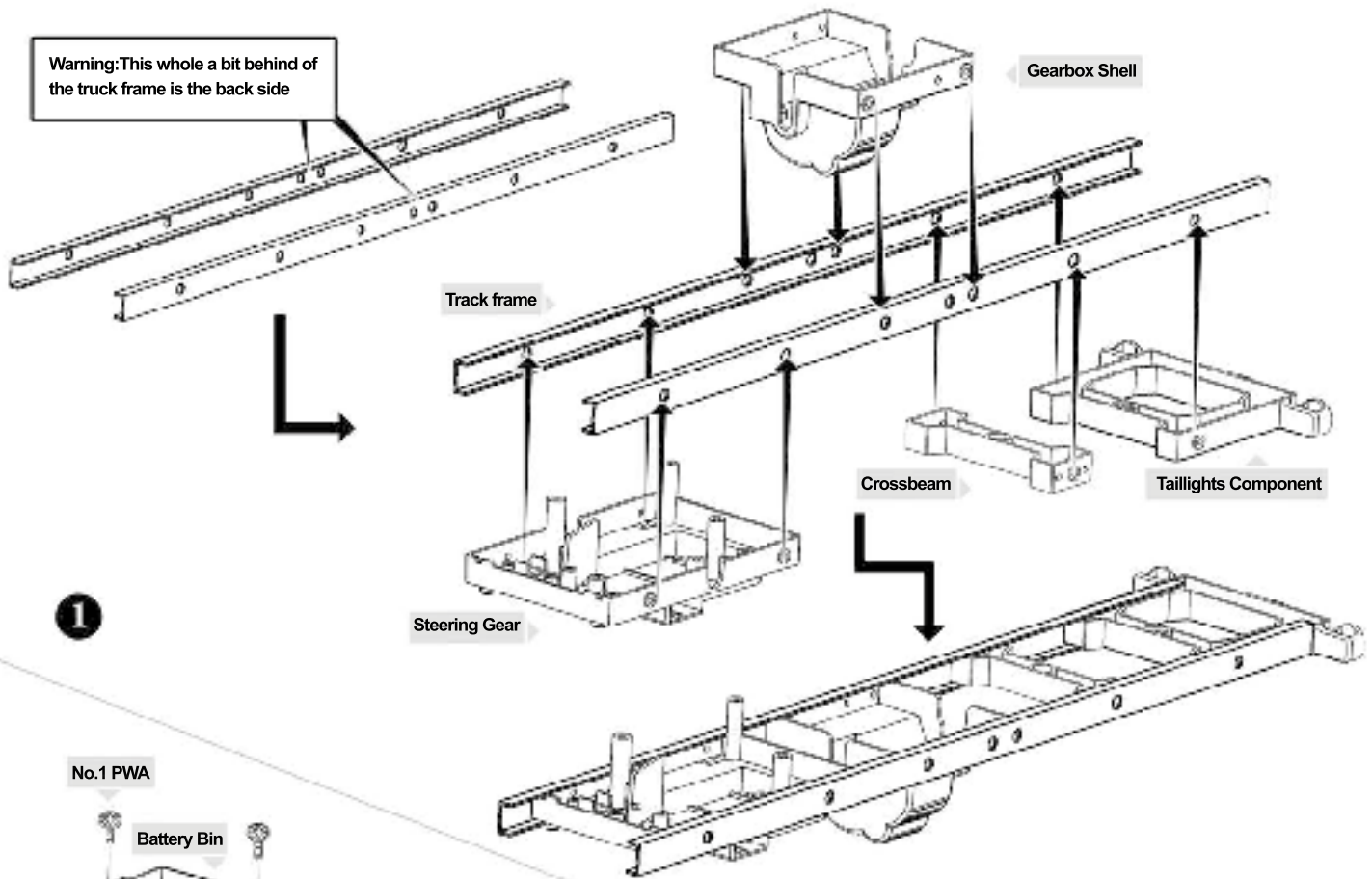
4



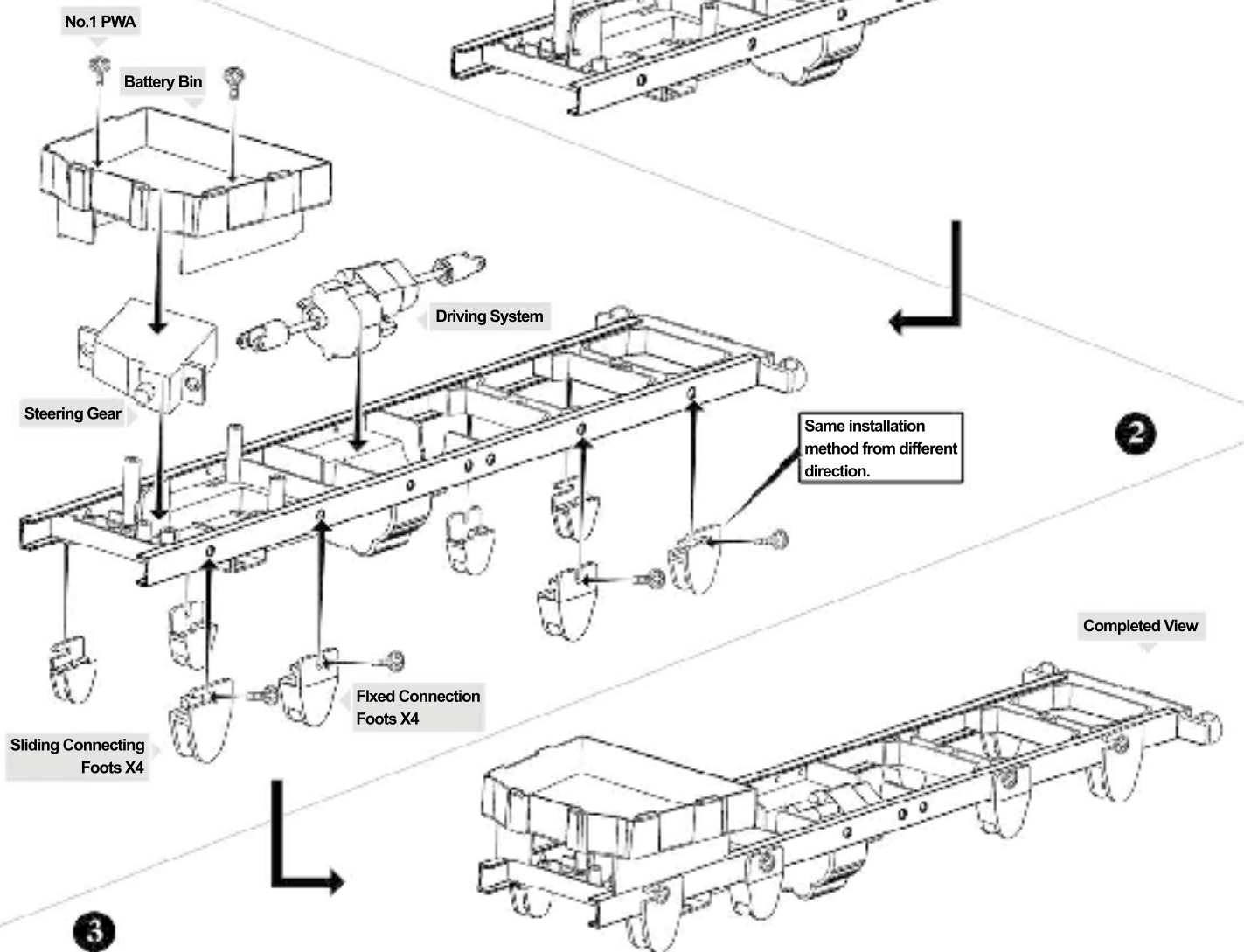
Completed view

INSTALLATION METHOD OF TRUCK BOTTOM

Warning: This whole a bit behind of the truck frame is the back side



1

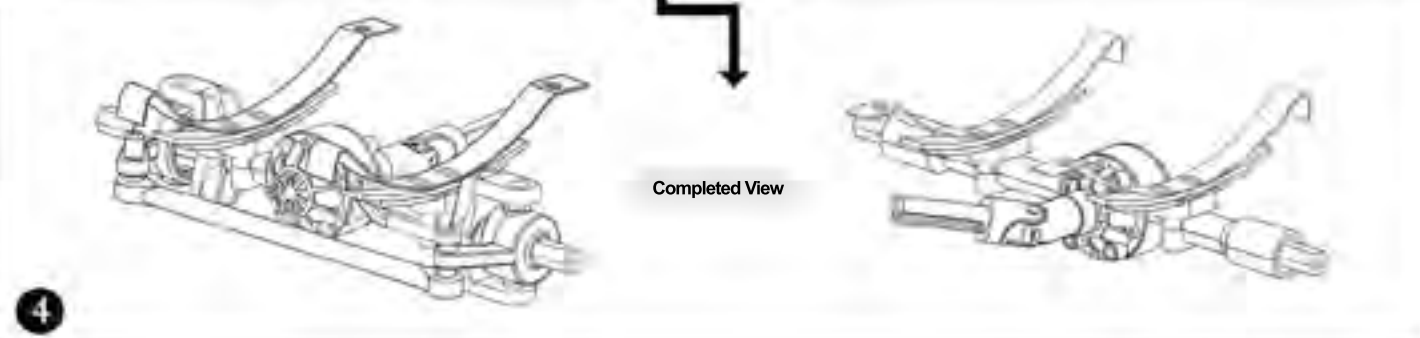
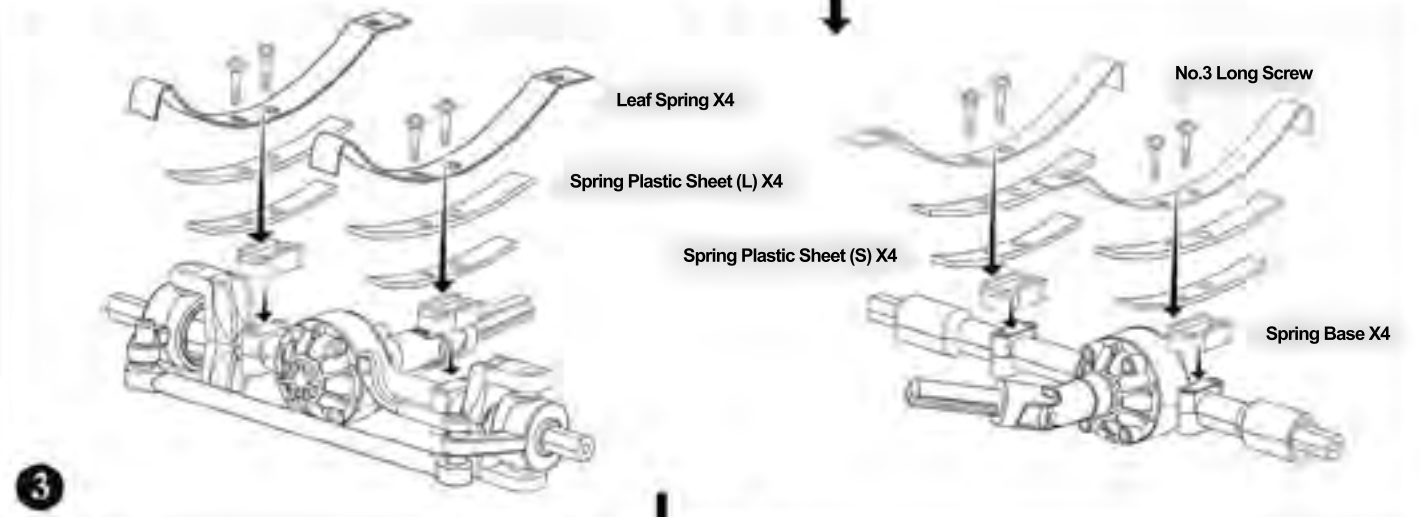
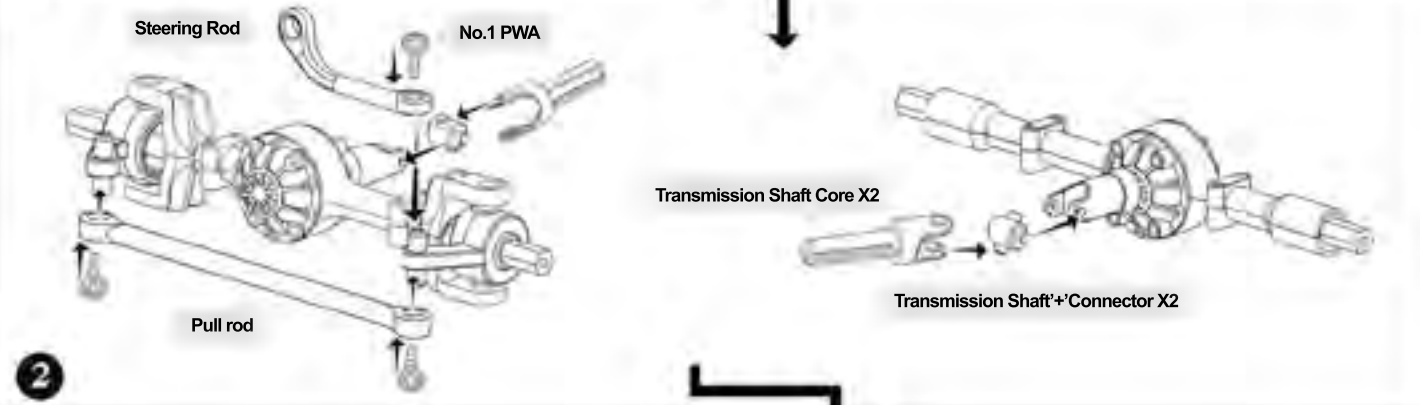
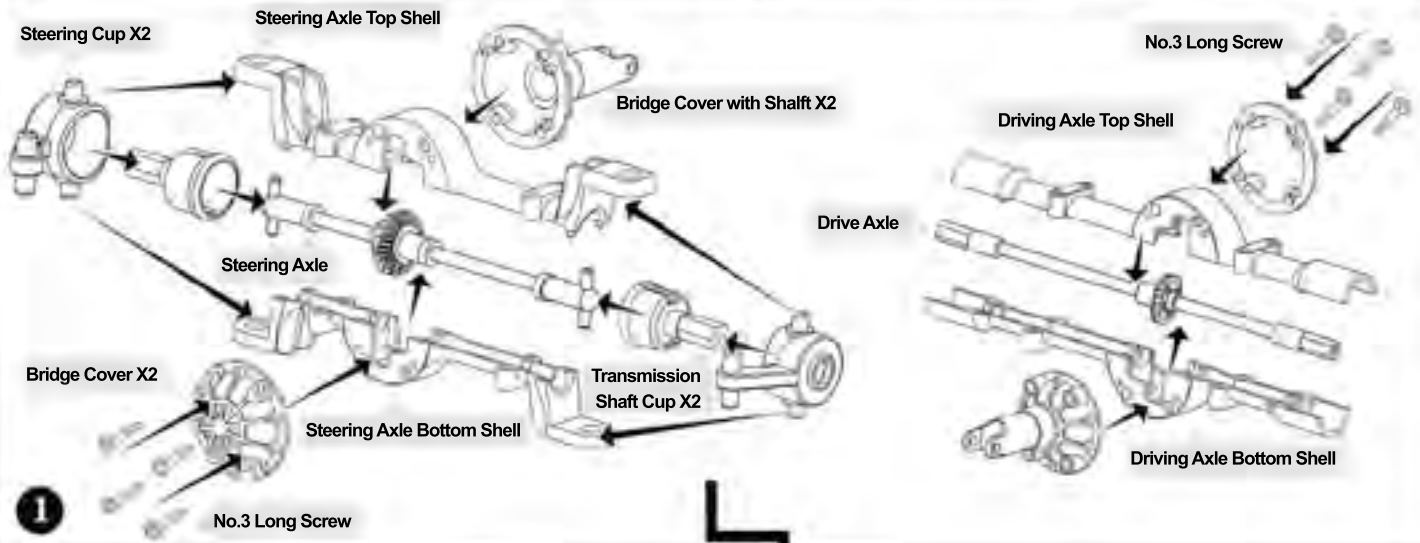


2

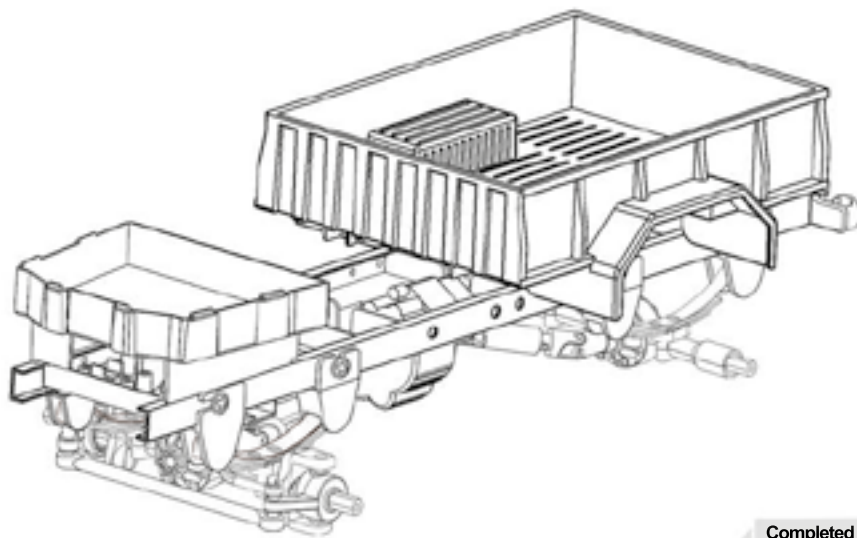
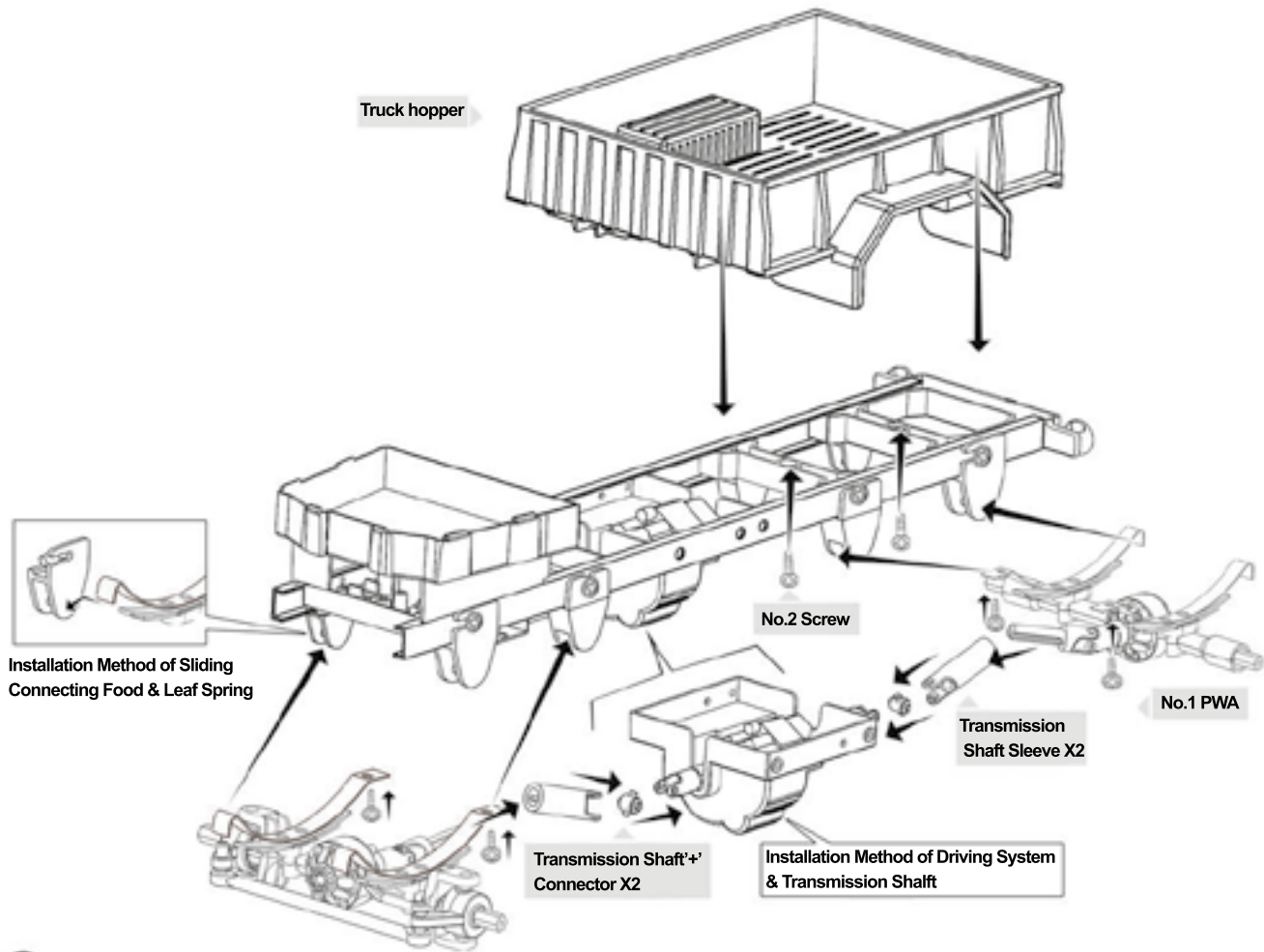
Completed View

3

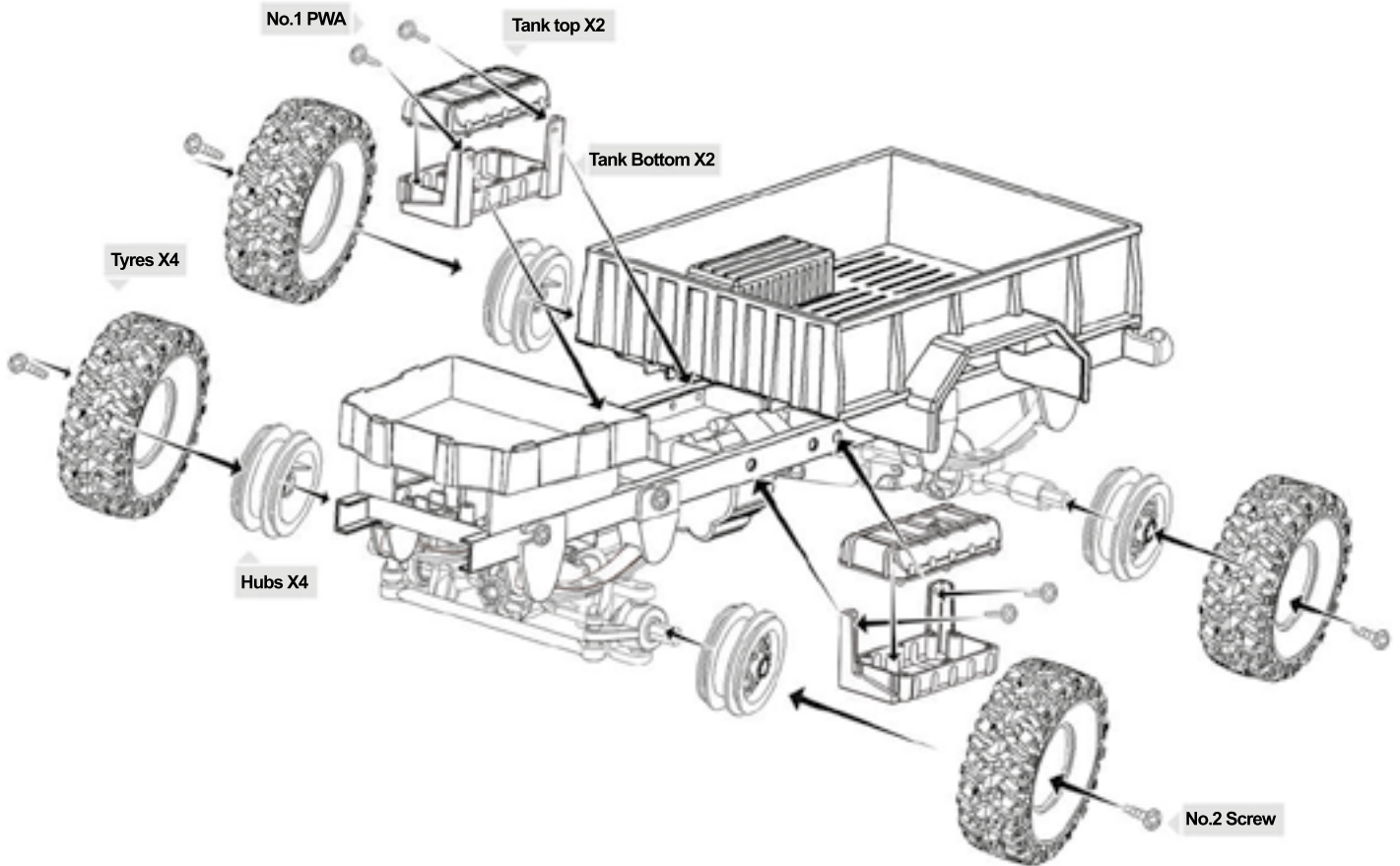
- INSTALLATION METHOD OF TRANSMISSION SYSTEM -



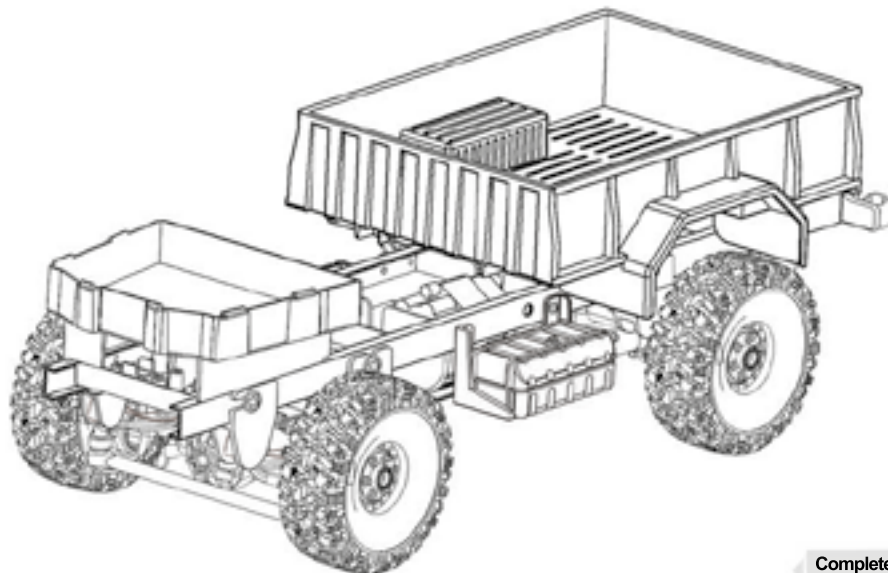
- INSTALLATION METHOD OF TRUCK BOTTOM+TRUCK HOPPER+TRANSMISSION SYSTEM-



·INSTALLATION METHOD OF TRUCK BOTTOM+TYRES+TANKS ·



1



2

•INSTALLATION METHOD OF TRUCK BOTTOM+TRUCK HULL+BUMPER •

